

RECOSTAL® Coupler

2025.11_03_EN



RECOSTAL® Coupler threaded connections offer an optimal and secure connection in reinforced concrete construction where reinforcement steel needs to be spliced. RECOSTAL® Coupler connection is available in sizes: 12 mm - 28 mm. Other sizes are available on request. RECOSTAL® Couplers can be used in combination with many products from the DYWIDAG Concrete Technologies portfolio. RECOSTAL® Coupler connections can save time and costs, ensures a secure connection and helps conserve resources by saving reinforcement steel.

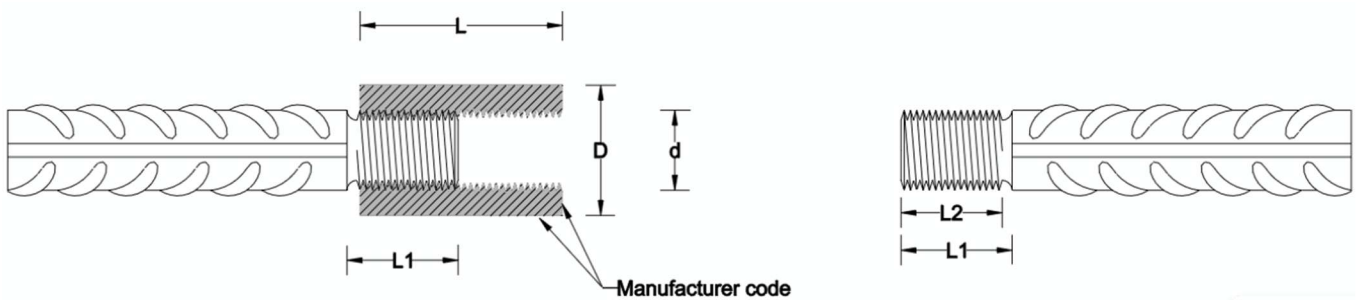
Main Characteristics

- Standard sizes: 12mm – 28mm
- Technical approvals: abG, ETA, CARES
- Fast Installation
- Special types and sizes on request
- For reinforcement steel B500B and B500C
- 100% force transfer
- Rated for dynamic loading

Technical Data

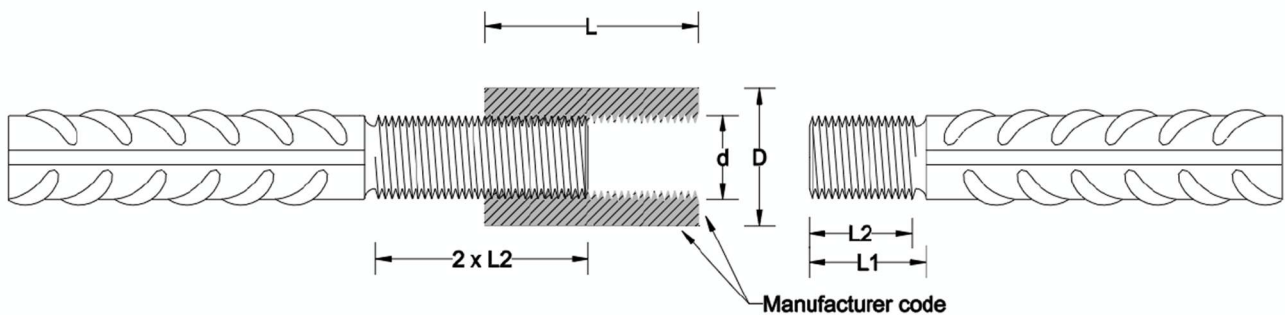
Standard Coupler

Rebar nominal diameter ϕ [mm]	Coupler external diameter D [mm]	Coupler length L [mm]	Peel length L1 [mm]	Thread length L2 [mm]	External thread d [mm]	Tightening torque M [Nm]
12	19	35	19	18.5	12.38	60
14	22	40	22.5	21.5	14.5	80
16	25	45	25	24	16.5	80
20	30	55	30	29	20.55	160
25	38	65	35.5	34.5	25.55	230
28	42	70	38	37	28.55	300



Positional Coupler

Rebar nominal diameter ϕ [mm]	Coupler external diameter D [mm]	Coupler length L [mm]	Peel length L1 [mm]	Thread length L2 [mm]	External thread d [mm]	Tightening torque M [Nm]
16	25	45	25	24	16.5	80
20	30	55	30	29	20.55	160
25	38	65	35.5	34.5	25.55	230





Installation

Remove the protective plastic cap from the RECOSTAL® coupler to expose the internal thread. Position the continuation bar and rotate it into the coupler until the respective diameter tightening torque is achieved. After tightening, confirm that no more than 1–3 mm of thread remains visible, ensuring a secure and properly aligned connection on both ends. If using a positional coupler, the coupler is first threaded on the entire length of the threaded reinforcing bar and once the plastic cap is removed, the continuation bar is positioned and rotated in the coupler. When in position the coupler is screwed completely over the thread length up to the last thread of the opposite bar and tightened with a torque wrench.

Approvals

- DIBt – Z-1.5-297
- ETA-25/1075
- CARES – TA1-B 5088

Related Products

- RECOSTAL® RSH-C
- RECOSTAL® CBS
- RECOSTAL® RSV-C

Packaging

- Shrink wrapped on pallets

Storage

- No limitations

Safety/ Recommendations*

Wear protective gloves

*The recommendations relating to the application and end-use of our products are based on our current knowledge and experience of the products when properly stored, handled and applied under normal conditions. No warranty in respect of merchantability or of fitness for a particular purpose, nor any liability arising out of any legal relationship whatsoever, can be inferred either from this information, or from any other advice offered. The user shall rely on his or her own information and tests to determine suitability of the product for the intended use. We reserve the right to update information due to technical progress.